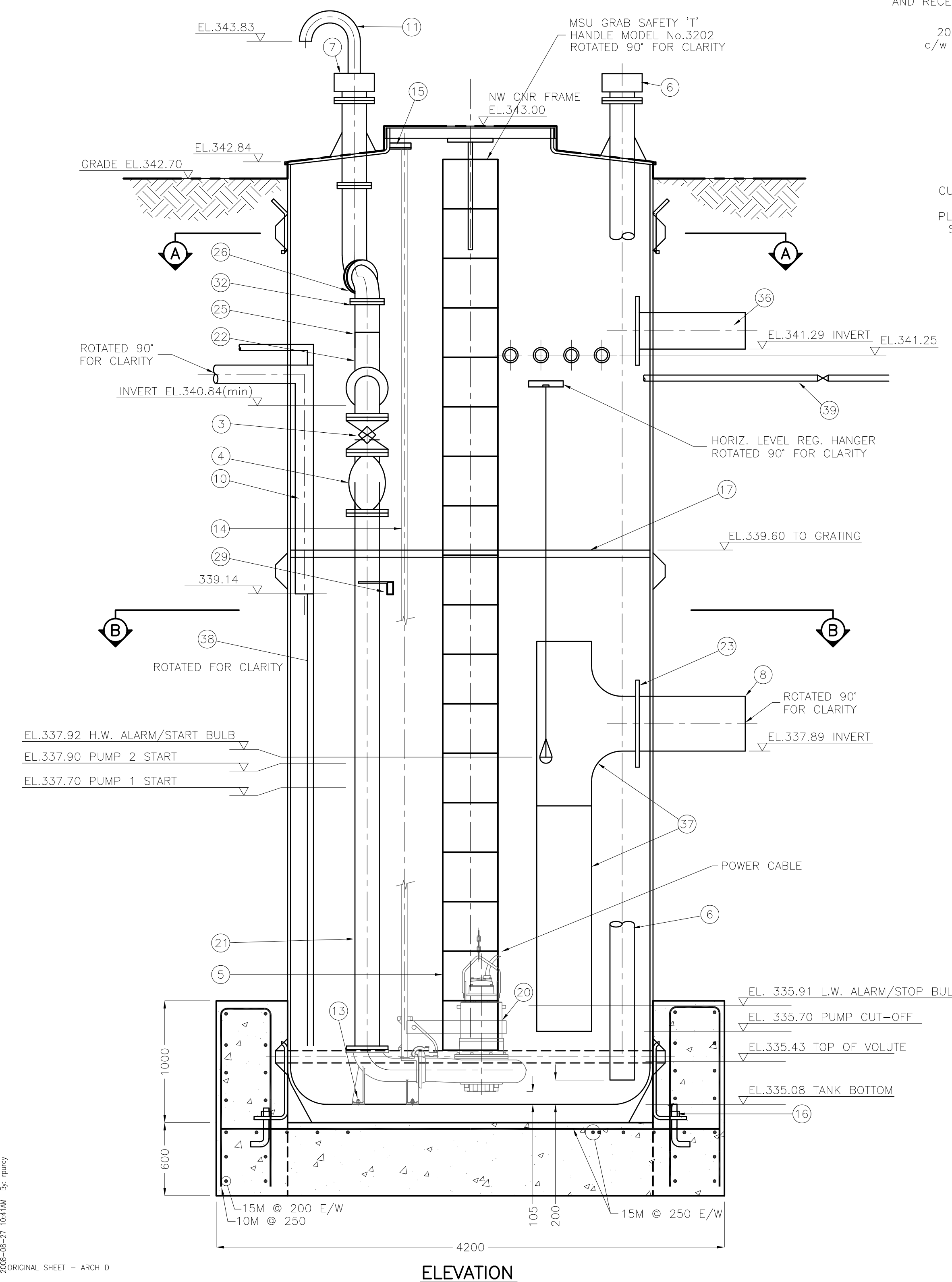
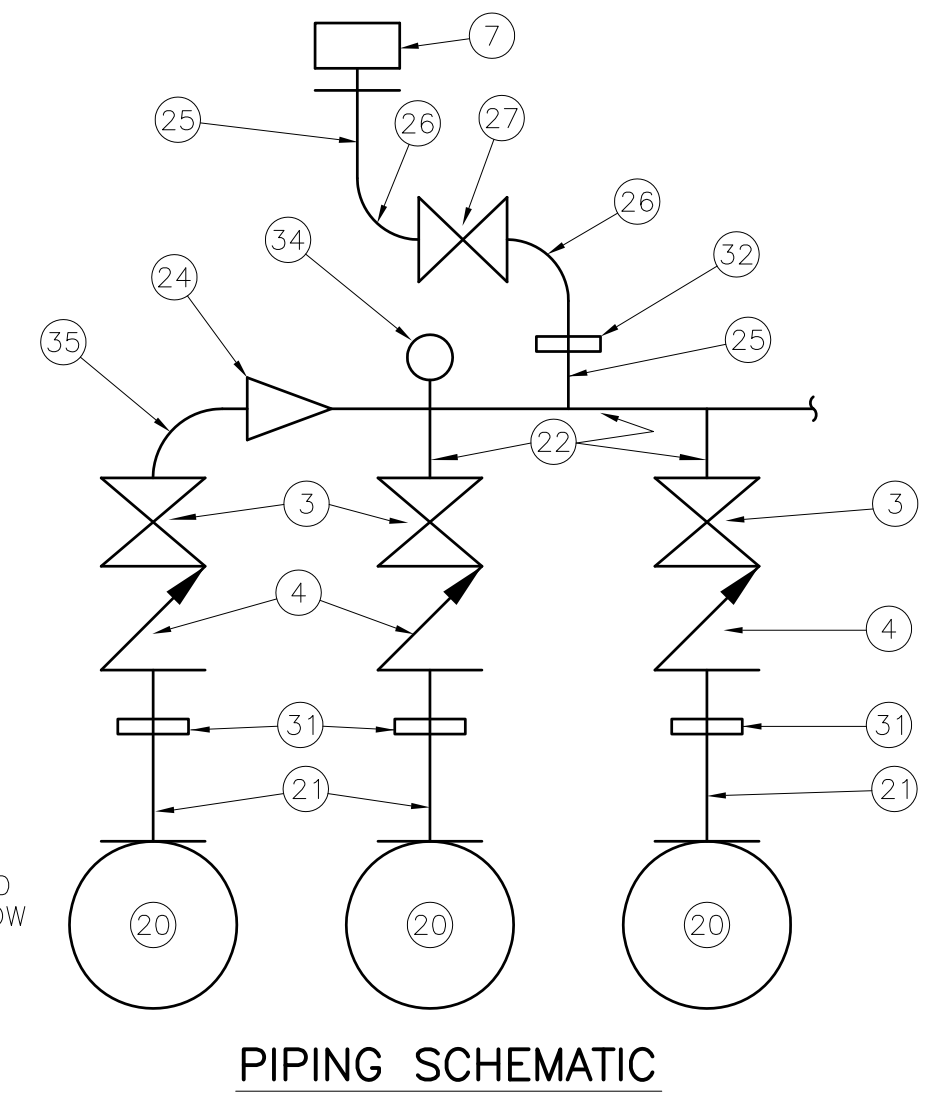


MATERIAL LIST		(CONTRACTOR TO CONFIRM FITTINGS)
ITEM	QTY.	DESCRIPTION
3	3	200mm $\phi$ VAL-MATIC CAM-CENTRIC PLUG VALVE 5808N, 50 OPERATING NUT c/w SPINDLE EXTENSIONS TO WITH 1m OF TOP, FLANGED
4	3	200mm $\phi$ FLYGT HDL #5087 BALL CHECK VALVE
5	1	ALUMINUM SAFETY LADDER, MARINE GRADE (FULL) PER W.C.B. SPECIFICATIONS
6	1	150mm $\phi$ SUCTION, c/w DOWNCOMER & KAMLOCK FITTING
7	1	150mm $\phi$ BYPASS, & KAMLOCK FITTING
8	1	525mm $\phi$ INLET MACHINED TO SDR-35 (FRP)
10	1	150mm $\phi$ AIR INTAKE STUB c/w DOWNCOMER
11	1	150mm $\phi$ AIR OUTLET STUB c/w GALVANIZED STEEL GOOSENECK AND BIRDSCREEN. PAINTED TO CITY REQUIREMENTS
12	3+1	50mm $\phi$ NPT CONN., ELECTRICAL, 1 FOR FUTURE CHEMICAL FEEDS
13	12	19mm $\phi$ BASE BOLTS, S.S.
14	6	50mm GUIDE BARS
15	3	GUIDE BAR SUPPORTS (UPPER) (S.S.)
16	12	20Mx300 ANCHOR BOLTS, S.S.
17	1	FRP ACCESS LANDING c/w HINGED HATCHES FOR PUMP REMOVAL AND ACCESS
18	1	100mm $\phi$ INLET MACHINED TO SDR-28 (FRP) c/w 100 PVC BALL VALVE 337.24
19	3	ALUMINUM ACCESS HATCHES - MSU TYPE-M c/w DRAIN CHANNEL, GAS ASSISTED SPRING, FITTED WITH FLUSH MOUNTING PADLOCK MECHANISM.
20	3	NP 3153.180 MT FLYGT PUMPS, IMP 227mm, 18hp, 600V, 3 PHASE DUTY POINT 64.7 @ 15.3m
21	-	200mm $\phi$ PIPE
22	3	300x300x200 TEE, SOC x SOC x FLANGE
23	1	450mm FLANGE
24	1	200x300 CONCENTRIC REDUCER
25	-	200mm $\phi$ PIPE
26	2	200mm $\phi$ 90 $\circ$ ELBOW, FLANGED ONE END
27	1	200 $\phi$ VAL-MATIC CAM-CENTRIC PLUG VALVE 5806/5B30-3, c/w WORM GEAR ACTIVATOR, OPERATING NUT, ROD EXTENDED TO TOP, FLANGED
29	1	ULTRASONIC LEVEL TRANSMITTER c/w S.S. MOUNTING BRACKET
30	2	LEVEL REGULATORS, FLYGT ENH-10 FOR HIGH AND LOW LEVELS
31	3	200mm $\phi$ VANSTONE FLANGES c/w HORIZ. HANGER
32	1	200mm $\phi$ VANSTONE FLANGE
34	1	PRESSURE TRANSMITTER CONNECTED TO KIOSK c/w STOP COCK, S.S. SADDLE
35	1	200 $\phi$ 90 $\circ$ ELBOW, FLANGED ONE END
36	1	300 $\phi$ 90 $\circ$ OUTLET MACHINED TO C-900
37	1	450 $\phi$ TEE WITH 450 $\phi$ DROP PIPE
38	1	50 $\phi$ PVC DROP PIPE FOR FUTURE CHEMICAL FEED
39	1	50 $\phi$ HDPE SERVICE FROM RECLAIMED EFFLUENT MAIN c/w CURB STOP (FOR STATION WASHDOWN, WITH GAMAJET)
40	1	38 $\phi$ GAMAJET SPRAY NOZZLE



**Copyright Reserved**  
The Contractor shall verify and be responsible for all dimensions. DO NOT scale the drawing - any errors or omissions shall be reported to Stantec without delay.  
The Copyrights to all designs and drawings are the property of Stantec. Reproduction or use for any purpose other than that authorized by Stantec is forbidden.

**Consultants**

**Legend**

NOTES:  
1.) ALL PIPE AND FITTINGS SHALL BE SCHEDULE 80 PVC & RFP.  
2.) ALL BOLTS AND NUTS WITHIN LIFT STATION SHALL BE STAINLESS STEEL.  
3.) ALL FITTINGS AND VALVES SHALL BE SUPPORTED AGAINST ALL FORCES.  
4.) GRATING IS CSA APPROVED AND DESIGNED BY A PROFESSIONAL ENGINEER LICENSED TO PRACTICE IN B.C.  
5.) ALL DIMENSIONS ARE IN MILLIMETRES UNLESS OTHERWISE SHOWN.  
6.) THE WASHDOWN FACILITY MUST BE PROVIDED BY PORTABLE MEANS.  
7.) GENSET, KIOSK, AND ODLOUR CONTROL UNIT TO BE PLACED ON 150mm THICK REINFORCED CONCRETE. 15M BAR  $\phi$  400c/c ONE MAT. SIZE TO SUIT 150mm OUTSIDE OF EQUIPMENT FOOTPRINT.  
8.) 25mm WASHDOWN FACILITY c/w SHUT-OFF VALVE AND REDUCED PRESSURE BACKFLOW PREVENTER PLACED IN MH FRAME AND COVER c/w 300 HIGH BARREL AND DRAIN ROCK BASE.

**Notes**

**ELECTRICAL KIOSK:**  
TO BE PROVIDED IN ACCORDANCE WITH CITY OF PENTICTON BY-LAW AND APPROVED BY ENGINEER.  
**GENSET:**  
STANDBY POWER PROVIDED TO OPERATE ALL THREE PUMPS AT ONE TIME. (80KW)  
GENSET TO BE PROTECTED BY ALL-WEATHER, HEATED ENCLOSURES.  
**ODLOUR CONTROL:**  
CALGON SKID MOUNTED HF-400S MODEL ENCLOSED IN ALL-WEATHER HEATED ENCLOSURE. IN ADDITION ENCLOSURE MUST BE SIZED TO CONTAIN 50IG TANK FOR FUTURE CHEMICAL FEED SYSTEM.

Revision	By	Appd.	YY.MM.DD
4	MATERIAL LIST REVISION & SECTION NOTES	CWD	JTK 08.06.19
3	OUTLET ELEV REVISION	RTP	JTK 07.09.21
2	LIFT STATION LOCATION & ELEV REVISIONS	RTP	JTK 07.05.11
1	LIFT STATION LOCATION & ELEV REVISIONS	RTP	JTK 07.02.09

Permit-Seal

**ASBUILT**

Client/Project  
**GIFFELS DESIGN-BUILD INC.**

**SOUTH OKANAGAN EVENTS CENTRE**

Penticton BC Canada

Title  
**PROPOSED LIFT STATION DESIGN**

Project No. 112720052 Scale 1:25

Drawing No. LS01 Sheet of Revision 4

W:\112720052\Arch\112720052\Arch\112720052\ASBUILT\LS 001-01.LSD.dwg  
2019-08-27 10:41AM Rb. rponky  
2019 ORIGINAL SHEET - ARCH D